

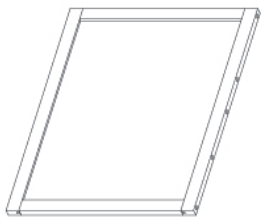
DIY Contents



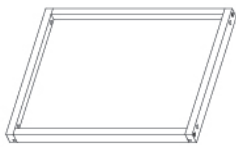
a*2pcs



b*2pcs



c*1pc



d*1pc



e*2pcs

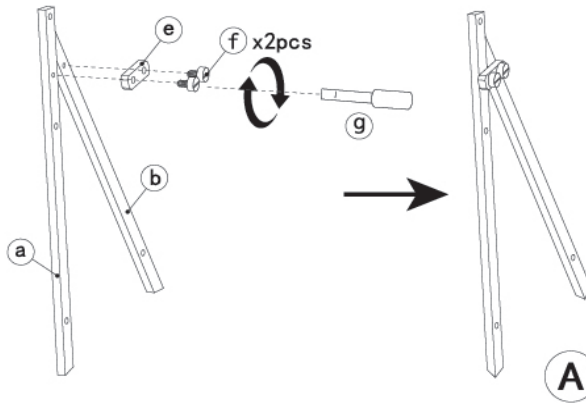


f*12pcs



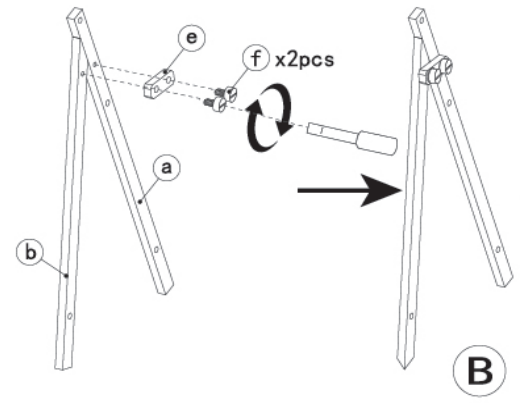
g*1pc

1



A

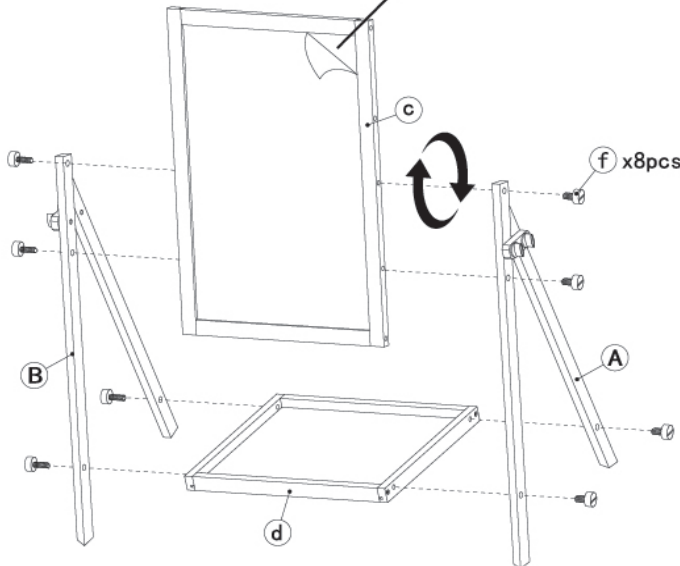
2



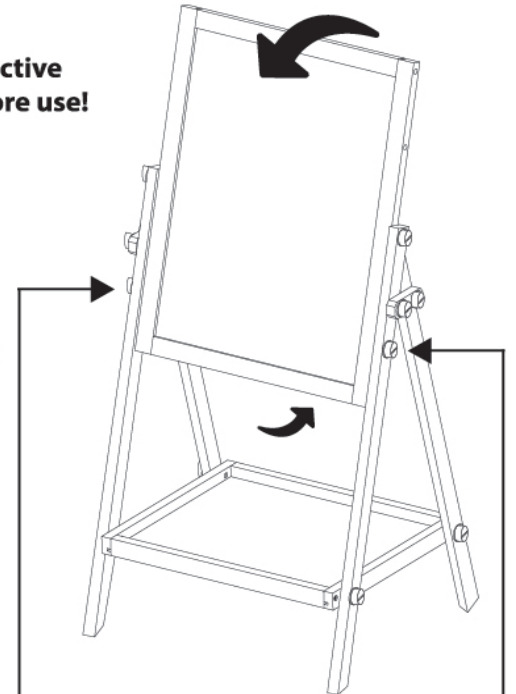
B

3

Please remove the clear plastic protective layer from the whiteboard surface before use!



- Do not over fasten the screws as it may cause them to snap.
- Do not rotate the board too many times over as it may cause the screws to snap.



Remove these 2 screws to slowly rotate your board between the Chalkboard and Whiteboard. Once you are on your chosen board side fasten the screws back in.

Chalkboard Dressing Instructions

Important: All chalkboards require dressing before use. This ensures that the surface will wipe clean with a duster.

1. Using a stick of chalk, rub it lengthwise across the entire surface of the board until completely coated.
2. Wipe the chalk off with a duster or dry cloth.
3. Your board is now dressed!

• Please note that if you clean the board at any stage with a damp cloth, you may need to dress the board again as above.

CAUTION: Keep out of reach of young children. Keep away from food, drink and animals. When using markers ensure carpets, clothes and furniture are protected. Avoid contact with eyes, rinse immediately with plenty of water and seek medical advice. If swallowed, seek medical advice immediately and show packaging or this label. Please remove all packaging attachments before giving to the child. Adult supervision should be encouraged for young children. Please remove all packaging attachments before giving this product to child. Retain packaging for future reference. Color and shape of contents may vary.



colorific™
www.colorific.com.au

Created by © Colorific
Colorific Australia: 1800 801 545
info@colorific.com.au
Made in China



WARNING:
CHOKING HAZARD - Small Parts.
Not suitable for children under 3 years.